

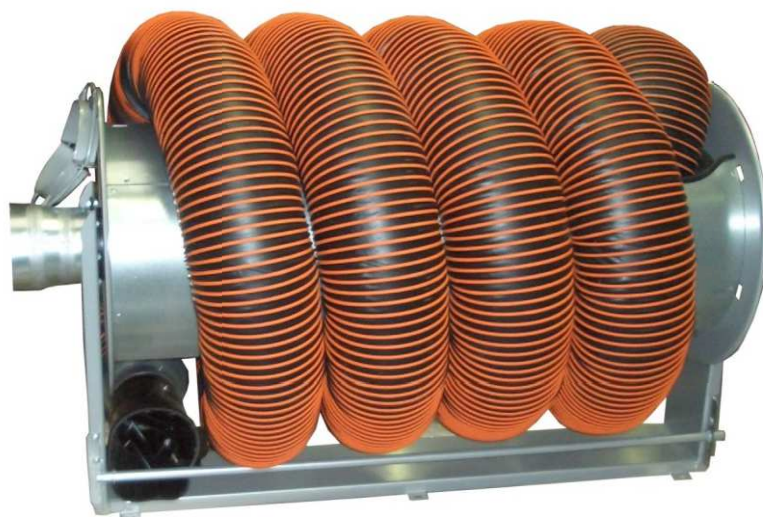
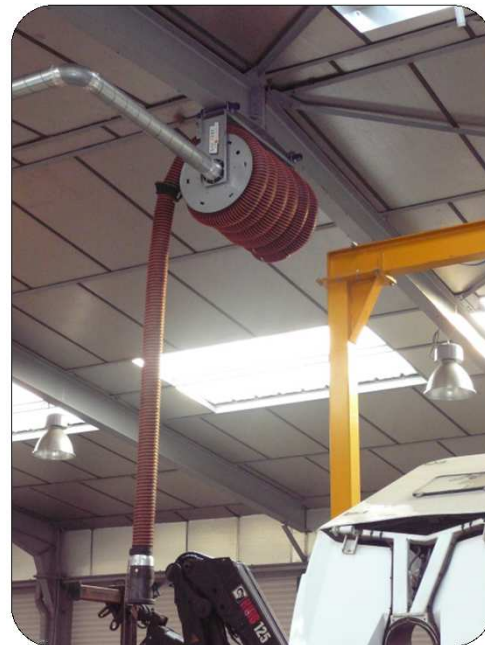
Hose reels (L & XL drum)

DESCRIPTION

Mechanical or electrical reel for exhaust gases extraction on heavy vehicles.

CARACTERISTICS

- **Mechanical hose reel** with spring driving and automatic ratchet
- **Electrical hose reel** with motor and remote controler for pulling the hose down & up
- **Hose** is fixed onto the drum thanks to specific staple piece¹. Hose is driven onto the drum thanks to specific guide.
- **Delivered with/without extraction fan** (optional on both mechanical or electrical reel)
- **Wall mounting or ceiling mounting**
- **Epoxy painting**
- Delivered naked (without hose nor nozzle). Suitable for 5', 6' and 8' hoses.
- **Electrical:** 400V Tri + neutral
- **Weight:** 60 to 110Kg
- **Power:** 0,37kW to 1,1kW
- **Airflow:** 730 to 1900m³/h
- **Pressure:** 200mmCE max

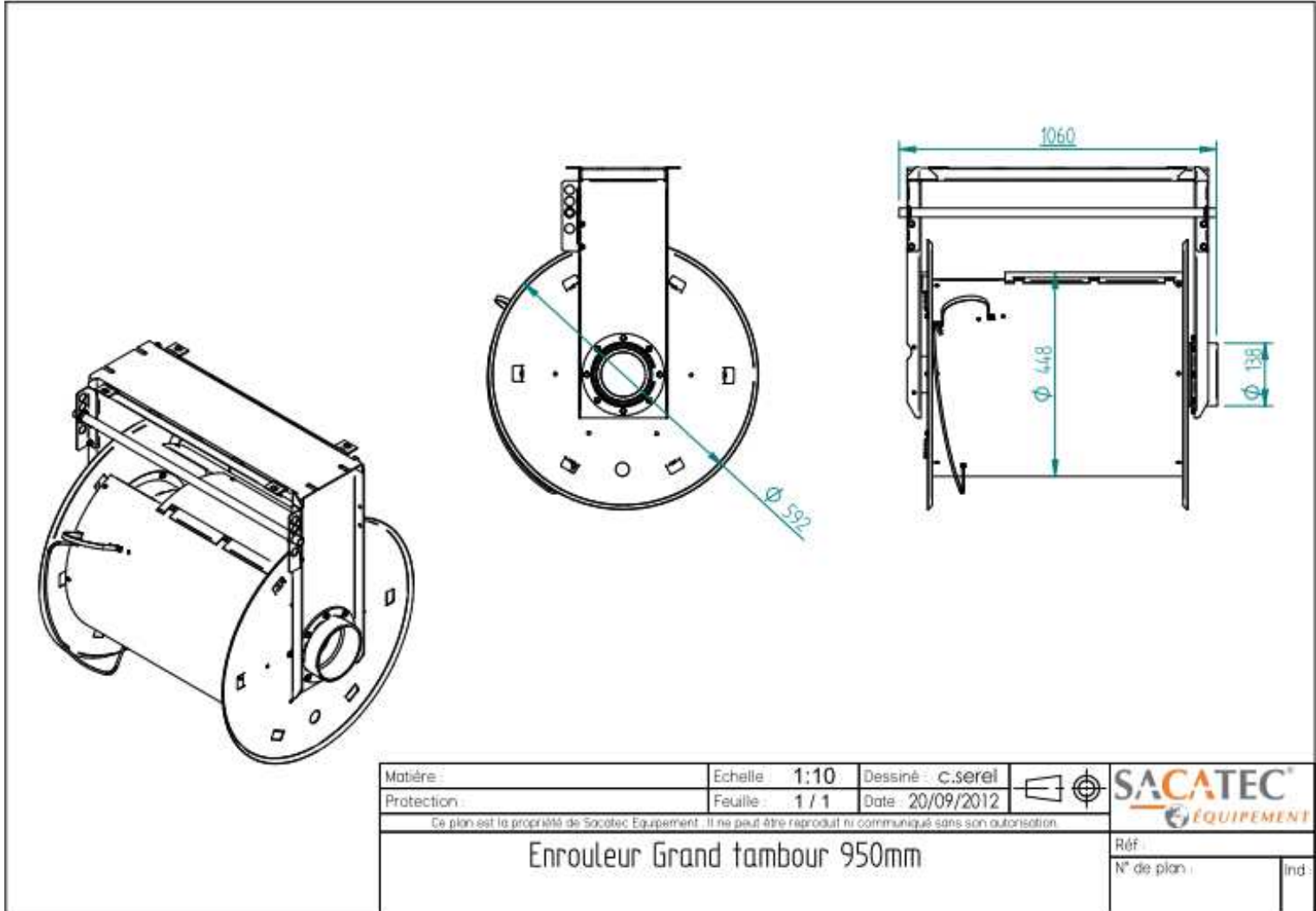


Export/TG/2012/10

SACATEC EQUIPEMENT

30, Rue de la Malmaison – ZAE de la Grande Couture – 95500 GONESSE – France

Tel. +33 1 39 85 96 05 – Fax +33 1 39 87 56 09 – www.sacatecequipement.com



MECHANICAL REEL – LARGE DRUM (item EGM150)

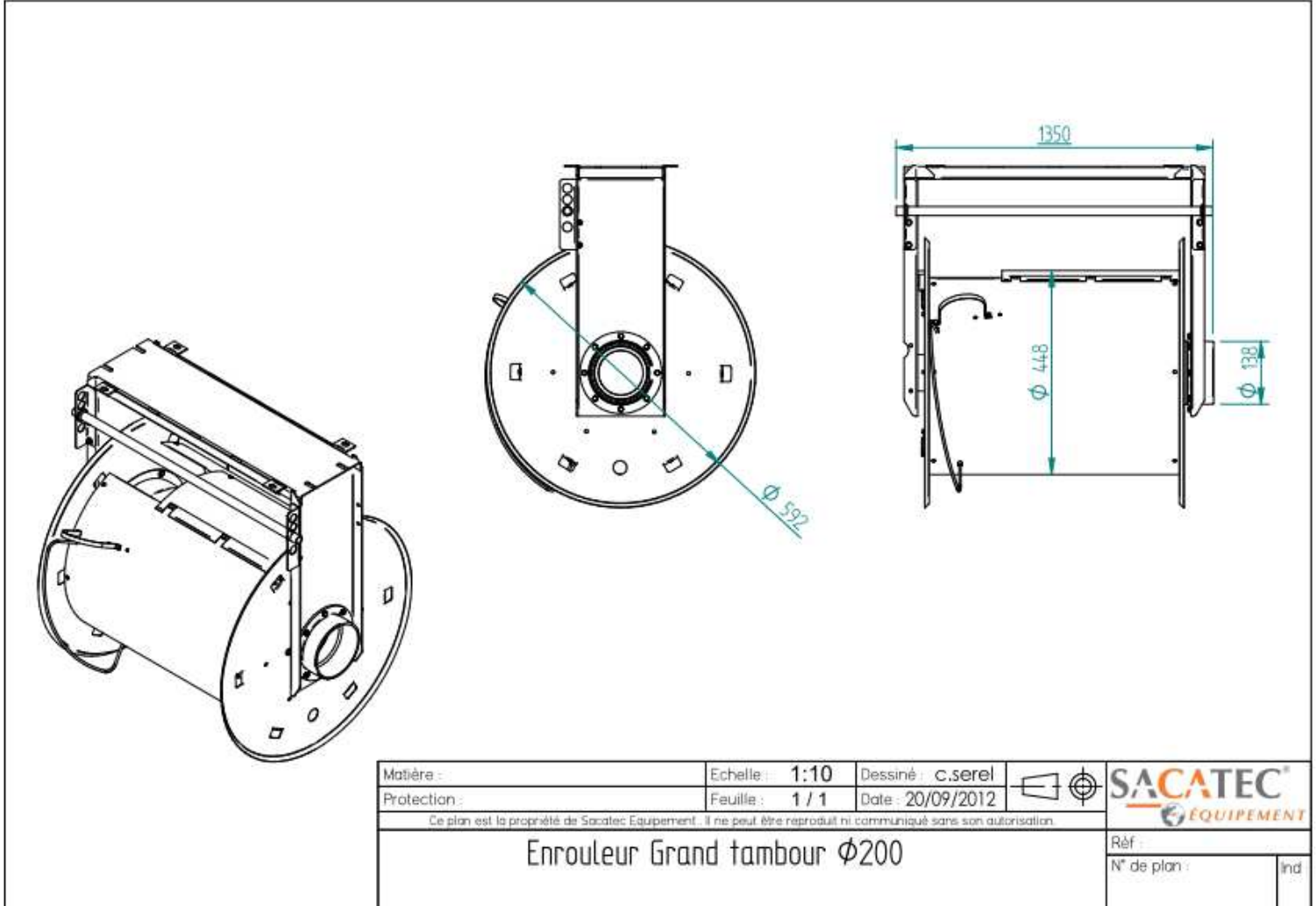
- Maximum 34,50ft **rolled** onto the drum (6' hose)
- Maximum 26,25ft **rolled** onto the drum (8' hose)
- Additional hose is hanging hose

Export/TG/2012/10

SACATEC EQUIPEMENT

30, Rue de la Malmaison – ZAE de la Grande Couture – 95500 GONESSE – France

Tel. +33 1 39 85 96 05 – Fax +33 1 39 87 56 09 – www.sacatecequipement.com



MECHANICAL REEL – XLARGE DRUM (item EGM200)

- Maximum 54,00ft **rolled** onto the drum (6' hose)
- Maximum 46,00 ft **rolled** onto the drum (8' hose)
- Additional hose is hanging hose

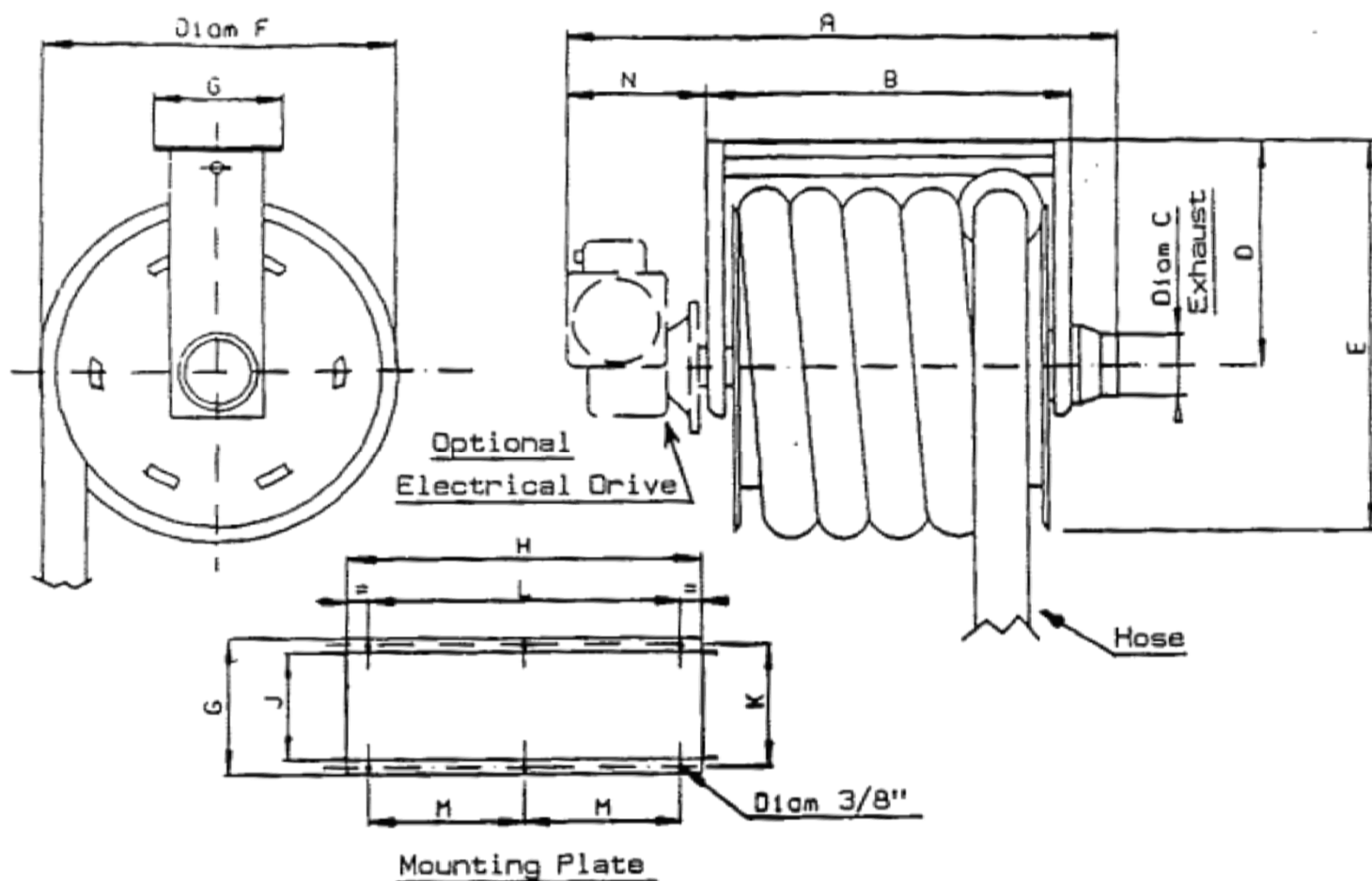
Export/TG/2012/10

SACATEC EQUIPEMENT

30, Rue de la Malmaison – ZAE de la Grande Couture – 95500 GONESSE – France

Tel. +33 1 39 85 96 05 – Fax +33 1 39 87 56 09 – www.sacatecequipement.com

Hose reels (L & XL drum)



| Dimensions | A | B | C | D | E | F | G | H | J | K | L | M | N |
|------------|----|-----------|----------|-----------|-----------|-----------|----------|-----------|----------|----------|-----------|-----------|----------|
| (inches) | 48 | 41 1/8 | 6 1/4 | 18 1/8 | 29 3/4 | 25 1/2 | 9 3/4 | 39 1/8 | 7 5/8 | 8 7/8 | 36 1/4 | 18 1/8 | 6 7/8 |

ELECTRICAL REEL – LARGE DRUM (item EGE150)

- Maximum 34,50 ft **rolled** onto the drum (6' hose)
- Maximum 26,25 ft **rolled** onto the drum (8' hose)
- Additional hose is hanging hose

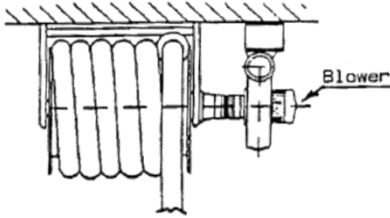
Export/TG/2012/10

SACATEC EQUIPEMENT

30, Rue de la Malmaison – ZAE de la Grande Couture – 95500 GONESSE – France

Tel. +33 1 39 85 96 05 – Fax +33 1 39 87 56 09 – www.sacatecequipement.com

Hose reels (L & XL drum)



Optional

- Blower with direct mounting onto the drum
- Item 5015: complete reel equipped with 6' hose



Optional

- Automatic starting of the fan
- Item 5514: Switch for automatic starting (mounted onto the reel)
- Item 6537: Special fan starter for automatic starting system



Optional

- Automatic end stopper system for electrical reel. The motor automatically stops when the hose is fully unrolled.
- Also include automatic starting of the fan (item 5514)
- Item 5802: Automatic end stopper system

REFERENCES

Ref. EGM150... Mechanical hose reel (naked) for 6' hoses (with hose stop & staple)

Ref. EGM200... Mechanical hose reel (naked) for 8' hoses (with hose stop & staple)

Ref. EGE150... Electrical hose reel (naked) for 6' hoses (with motor, hose stop & staple)

Ref. 5514... Switch for automatic starting of the extraction fan

Ref. 6537... Special fan starter for automatic starting system

Ref. 5802... Automatic end stopper system for electrical reel

WARRANTY

1 year

Export/TG/2012/10

SACATEC EQUIPEMENT

30, Rue de la Malmaison – ZAE de la Grande Couture – 95500 GONESSE – France

Tel. +33 1 39 85 96 05 – Fax +33 1 39 87 56 09 – www.sacatecequipement.com